



Use of Materials Limitations

International Currency Technologies Corporation (ICT) all rights reserved.
All materials contained are the copyrighted property of ICT.
All trademarks, service marks, and trade names are proprietary to ICT.

ICT reserves the right at all times to disclose or to modify any information as ICT deems necessary to satisfy any applicable law, regulation, legal process or governmental request, or to edit, refuse to post or to remove any information or materials, in whole or in part, in ICT's sole discretion.

Contents

1. Introduction	1
1-1. Overview	1
1-2. Features	1
2. Specifications	1
Common	1
Electrical	1
Mechanical	1
3. Packing List	2
4. Dimension	2
5. Installation	3
5-1. Harness Application	3
5-1-1. I/O Circuit	16
5-2. DIP Switch Setting	19
5-3. Software Download and Upgrade	19
6. Maintenance	20
7. Trouble Shooting	21

1. Introduction

1-1. Overview

A7/V7 Series is a bill acceptor which features not only high-security module with bill box but also outstanding recognition, acceptance rate up to 96% or even greater.

1-2. Features

- Four way bill insertion acceptance.
- Numerous interfaces available.
- Easily Install & Maintain.
- High Acceptance Rate up to 96%.

2. Specifications

Common

Acceptance Rate

96% or greater

Transaction Speed

Approx. 3 seconds to stack

Installation

Indoor

Electrical

Power Consumption

50 watts maximum

Operation Environment

Operation Temperature: 0°C~55°C
 Storage Temperature: -30°C~70°C
 Humidity: 30%~85RH
 (no condensation)

Mechanical

Outline Dimension

See Page.2

Weight

Approx. 1.25kg

Interface

Standard Pulse, 5V Enable,
 ICT Protocol, MDB, GPT Parallel

Bill Insertion

Four-way acceptance

Power Source

A7: 12V DC± 5%
 117V AC±10%

V7: 12V DC± 5%
 24V AC±10%
 34V DC (20V~42.5V)

Bill Capacity

Approx. 100 bills (80~120)
 200 bills (200~300)
 400 bills (350~450)
 800 bills (750~850)

3. Packing List

Main

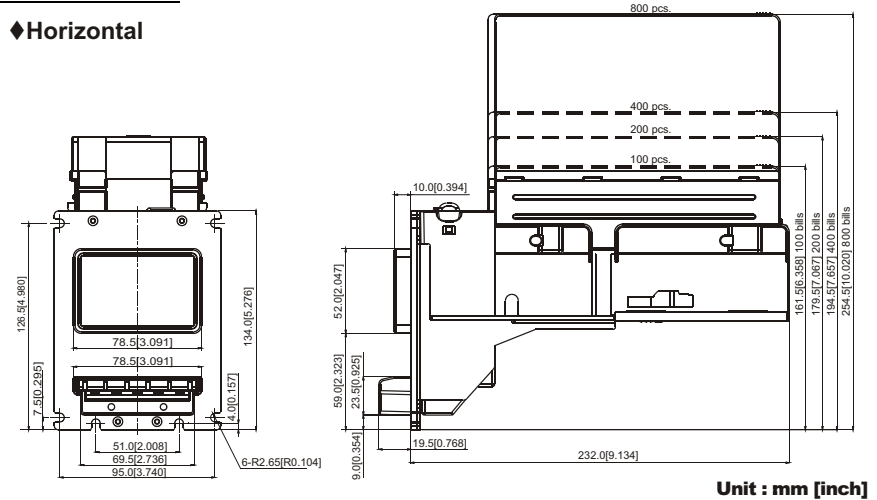
Bill Acceptor

Accessory

Harnesses: see 5-1
 A7/V7 Installation Guide
 A7/V7 DIP Switch Setting Guide

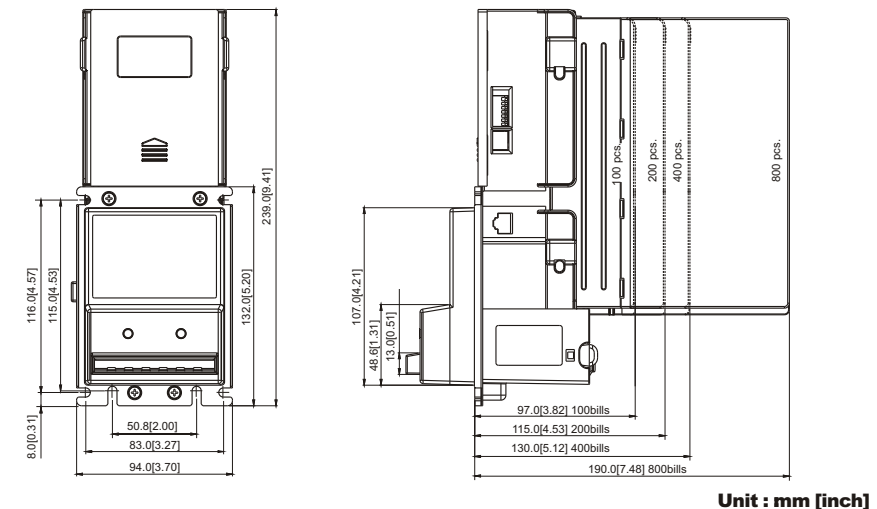
4. Dimension

◆Horizontal



Unit : mm [inch]

◆Vertical



Unit : mm [inch]

5. Installation

5-1. Harness Application

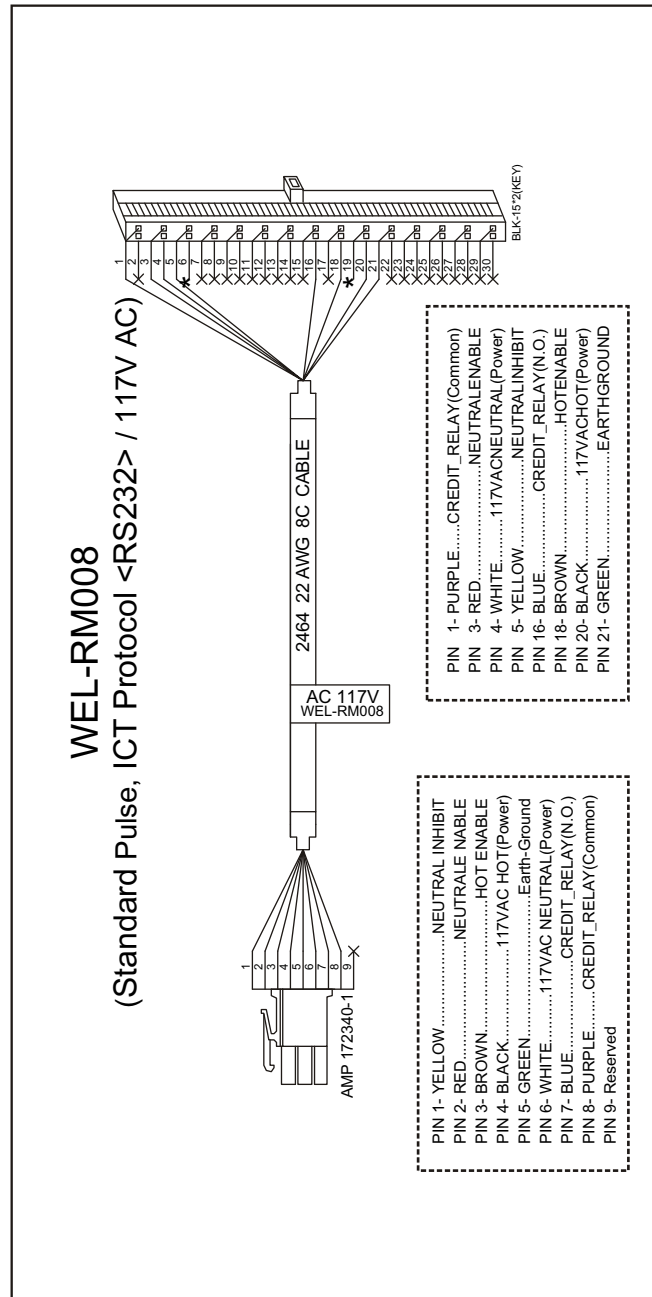
Table 1

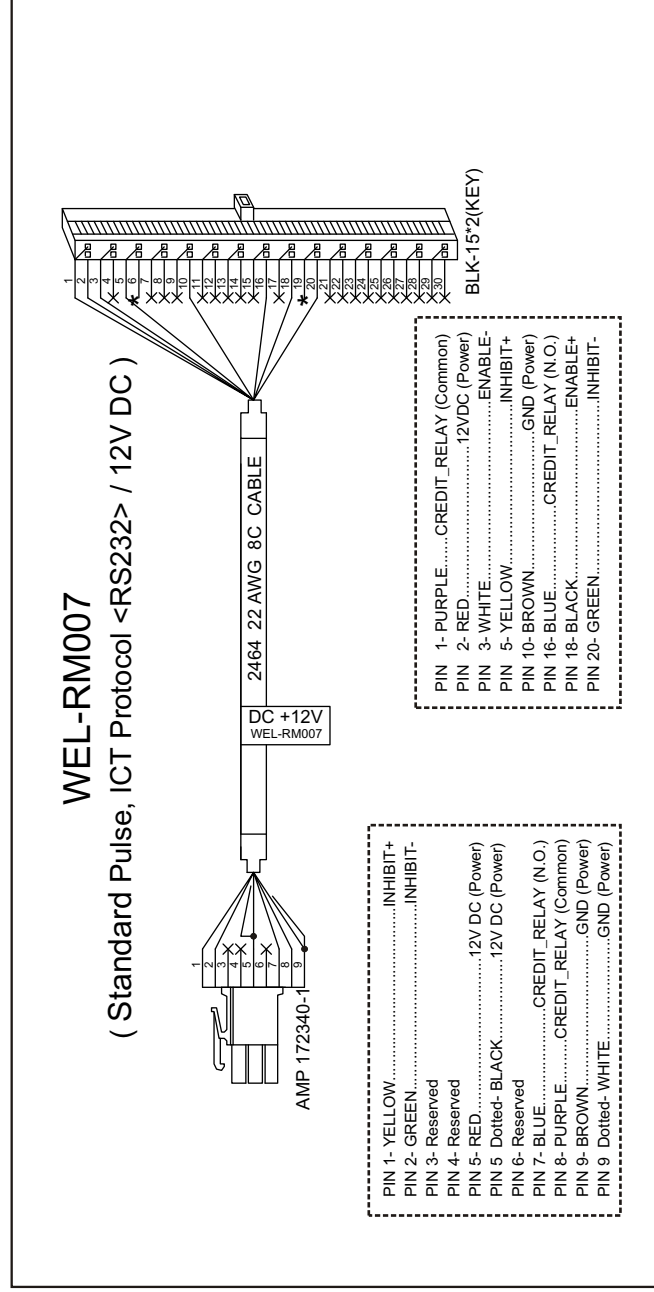
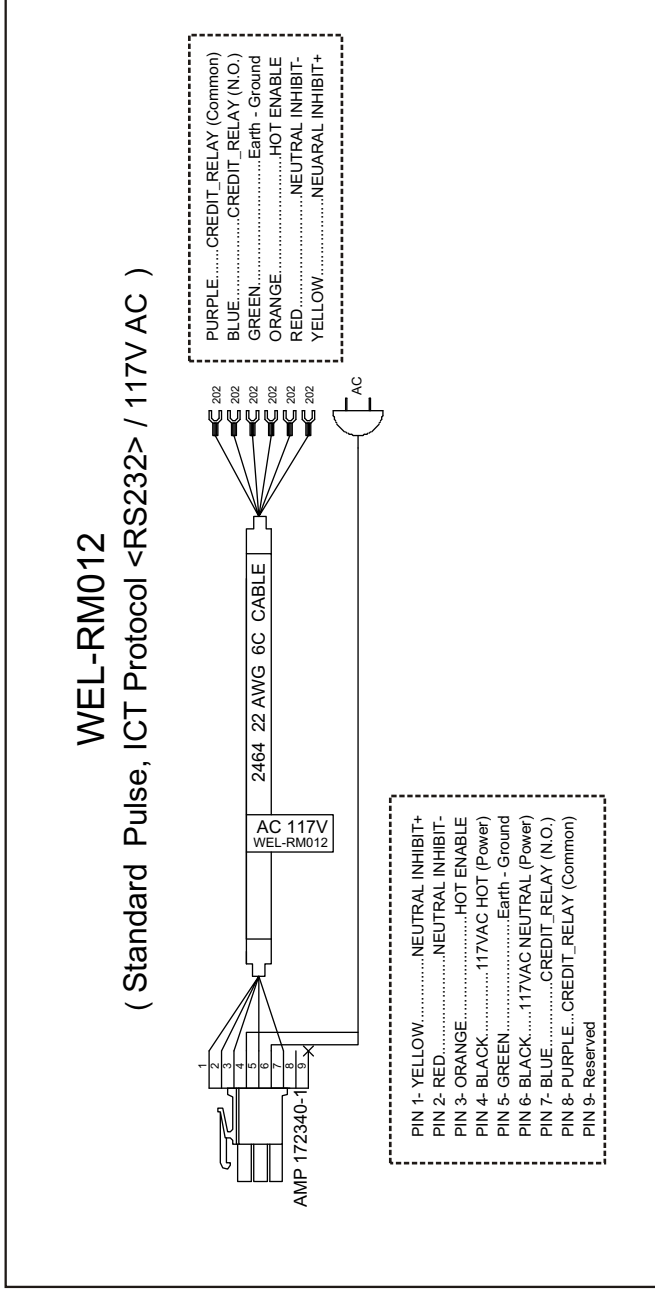
Model	Interface	Used Voltage	Usage	Harness	Page
A7	Standard Pulse	117V AC	Power & *Data Comm.	WEL-RM008	4
			Extension Wire	WEL-RM012	5
		12V DC	Power & *Data Comm.	WEL-RM007	6
			Extension Wire	CU-R961-1	7
	5V Enable	117V AC	Power & *Data Comm.	WEL-RM017	8
			Extension Wire	WEL-RM018	9
	ICT Protocol (RS232)	12V DC	Power	WEL-RM007	6
			**Power Ext.	CU-R961-1	7
117V AC		*Data Comm.	WEL-RV706	10	
		Power	WEL-RM008	4	
V7	Standard Pulse	12V DC	Power & *Data Comm.	WEL-RV701	11
			Extension Wire	CU-R961-1	7
		24V AC	Power & *Data Comm.	WEL-RV702	12
			Extension Wire	WEL-RV703	13
	MDB	34V DC	Power & *Data Comm.	WEL-RM006	14
			Power	WEL-RV701	11
	ICT Protocol (RS232)	12V DC	Extension Wire	CU-R961-1	7
			*Data Comm.	WEL-RV706	10
Power & *Data Comm.			***5RBG-AA203L1-0x	15	

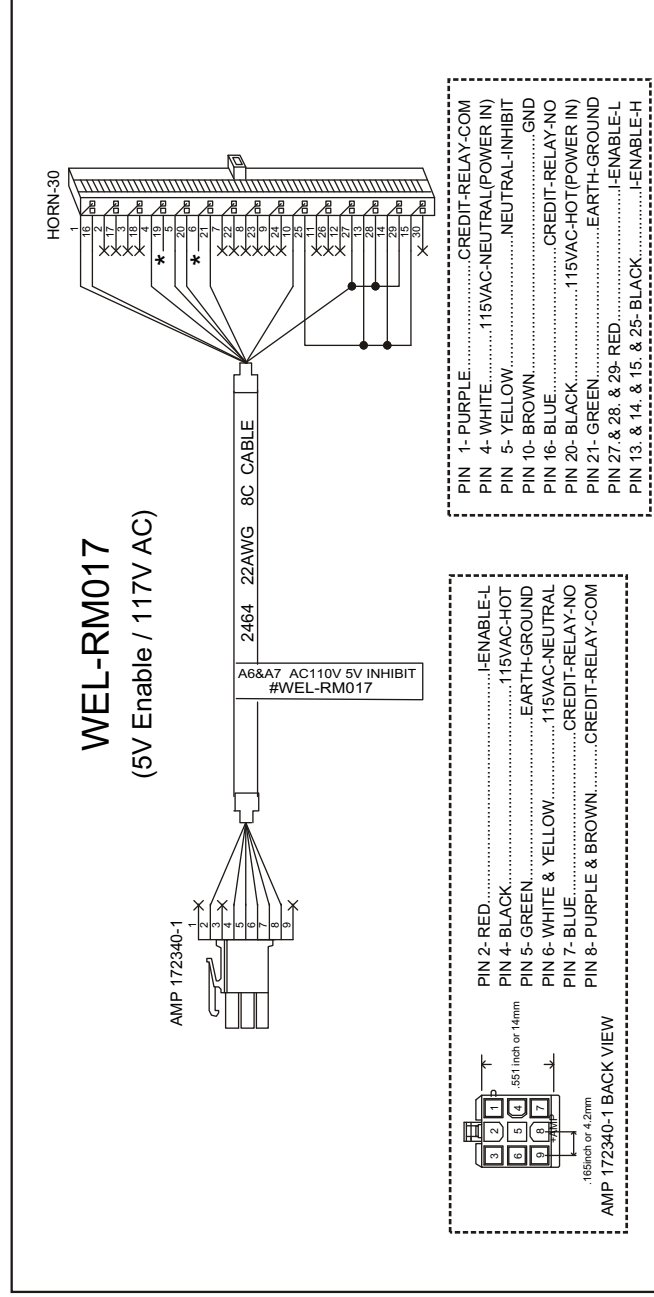
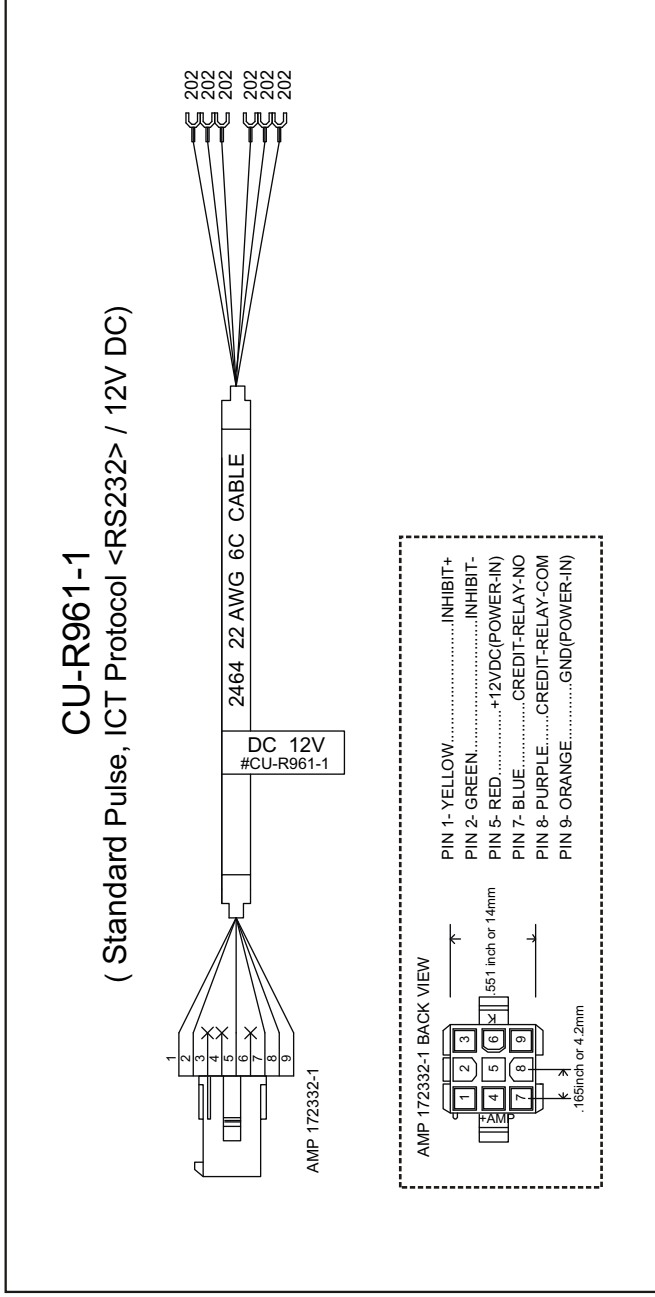
*Data Comm. : Data Communication.

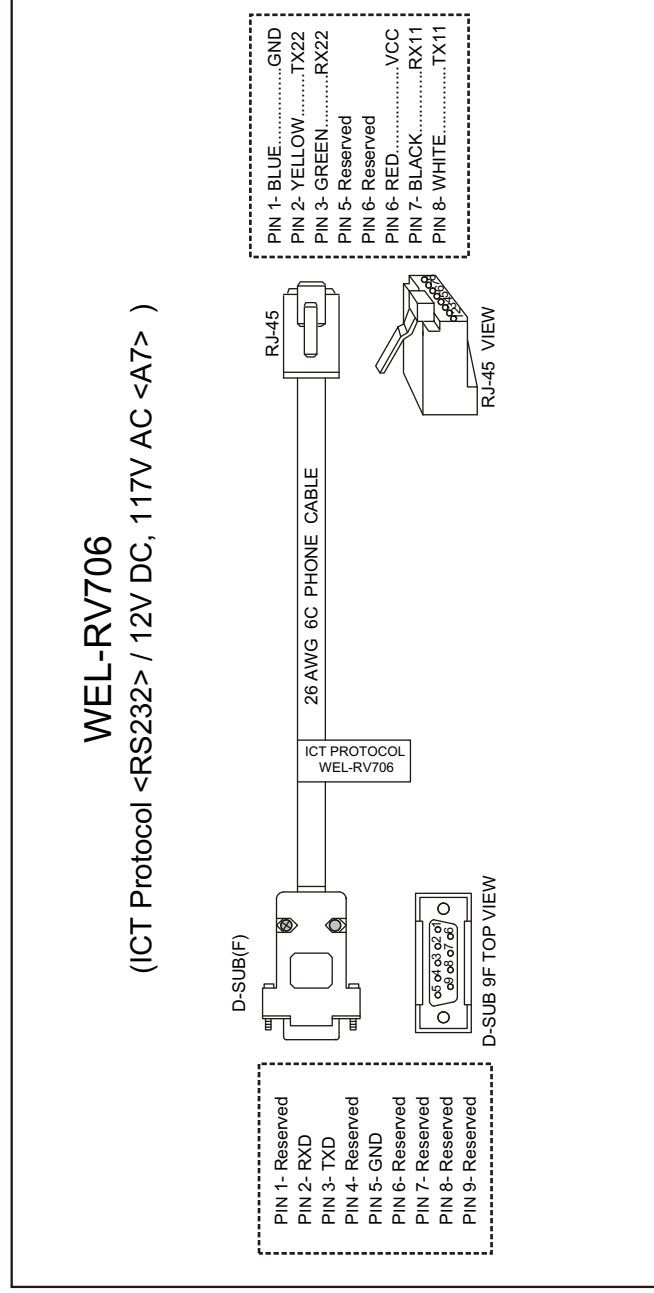
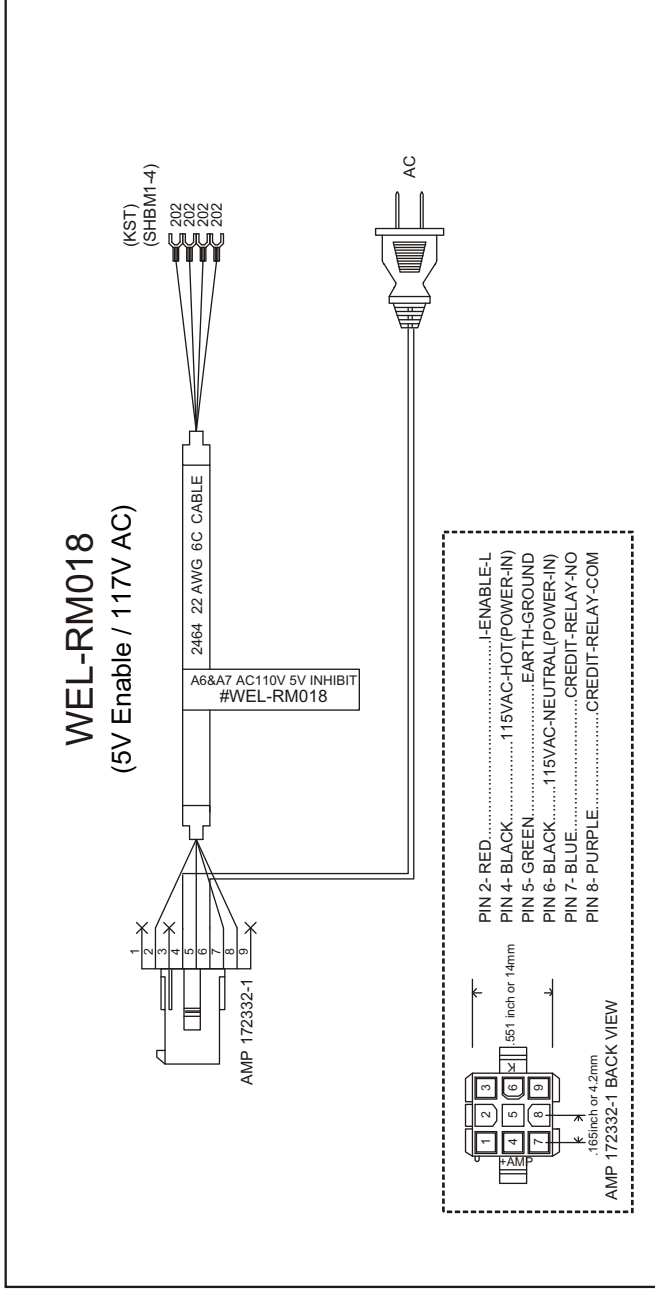
**Power Ext. : Power Extension Wire

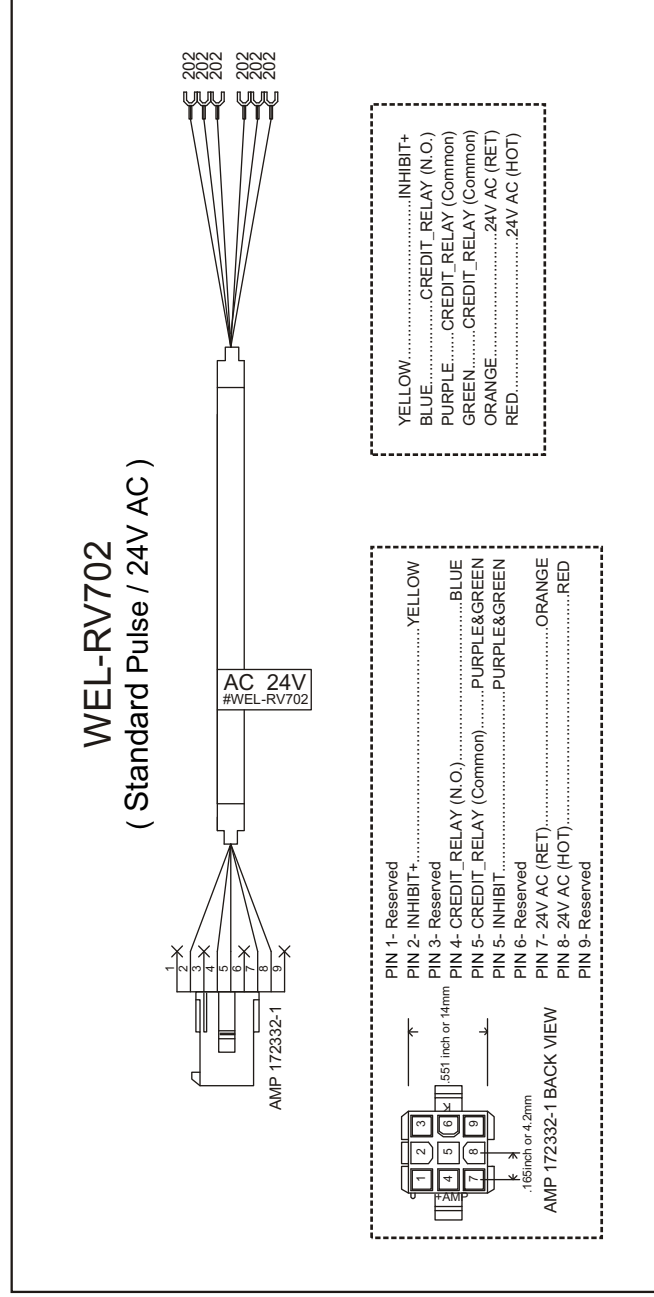
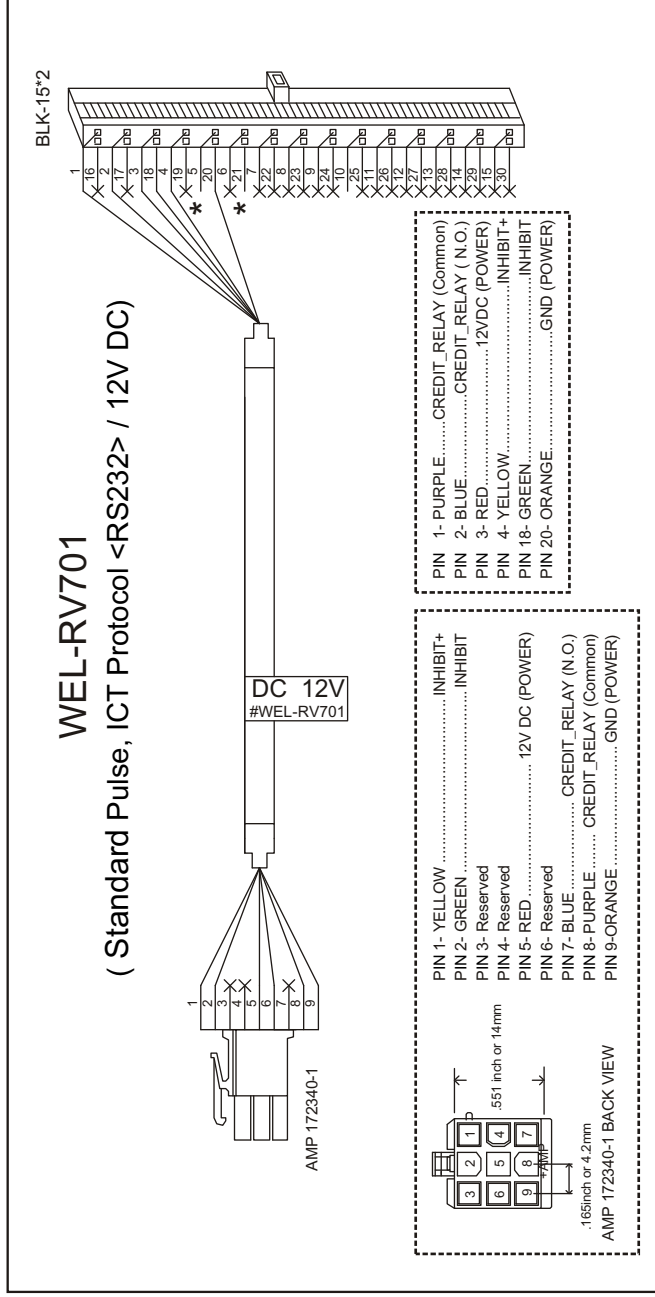
***5RBG-AA203L1-0x : Plug-in Box & Cables, "x" varies from version to version.

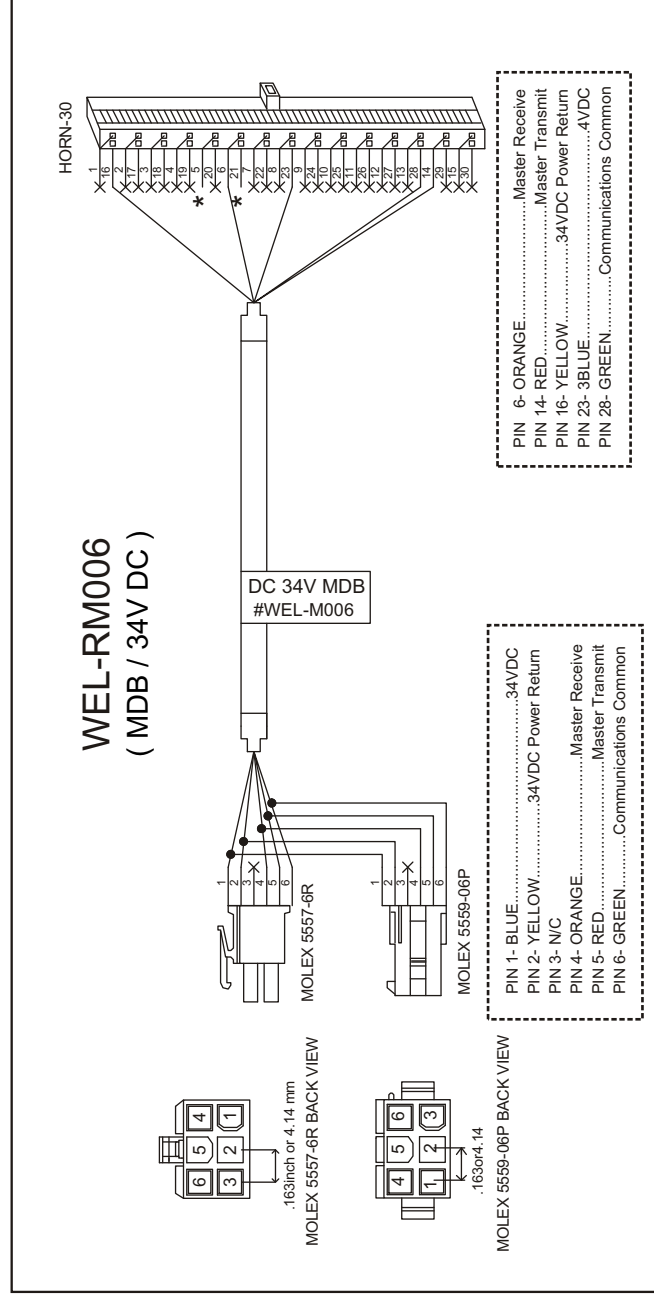
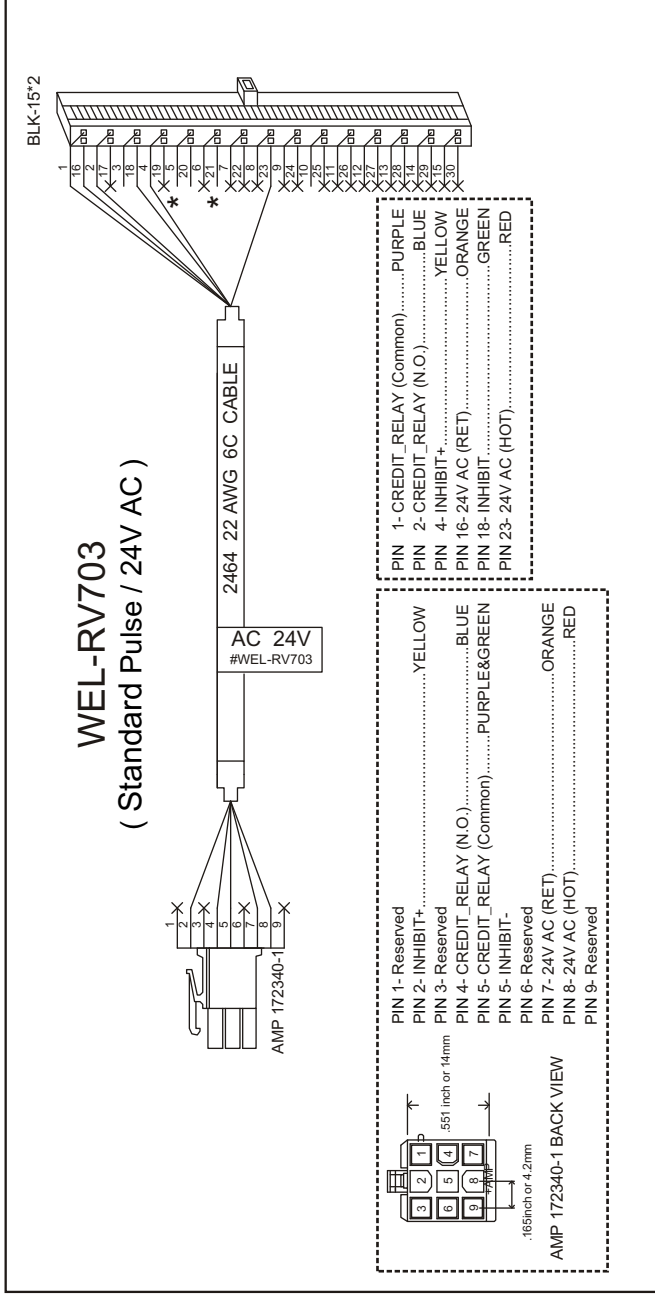


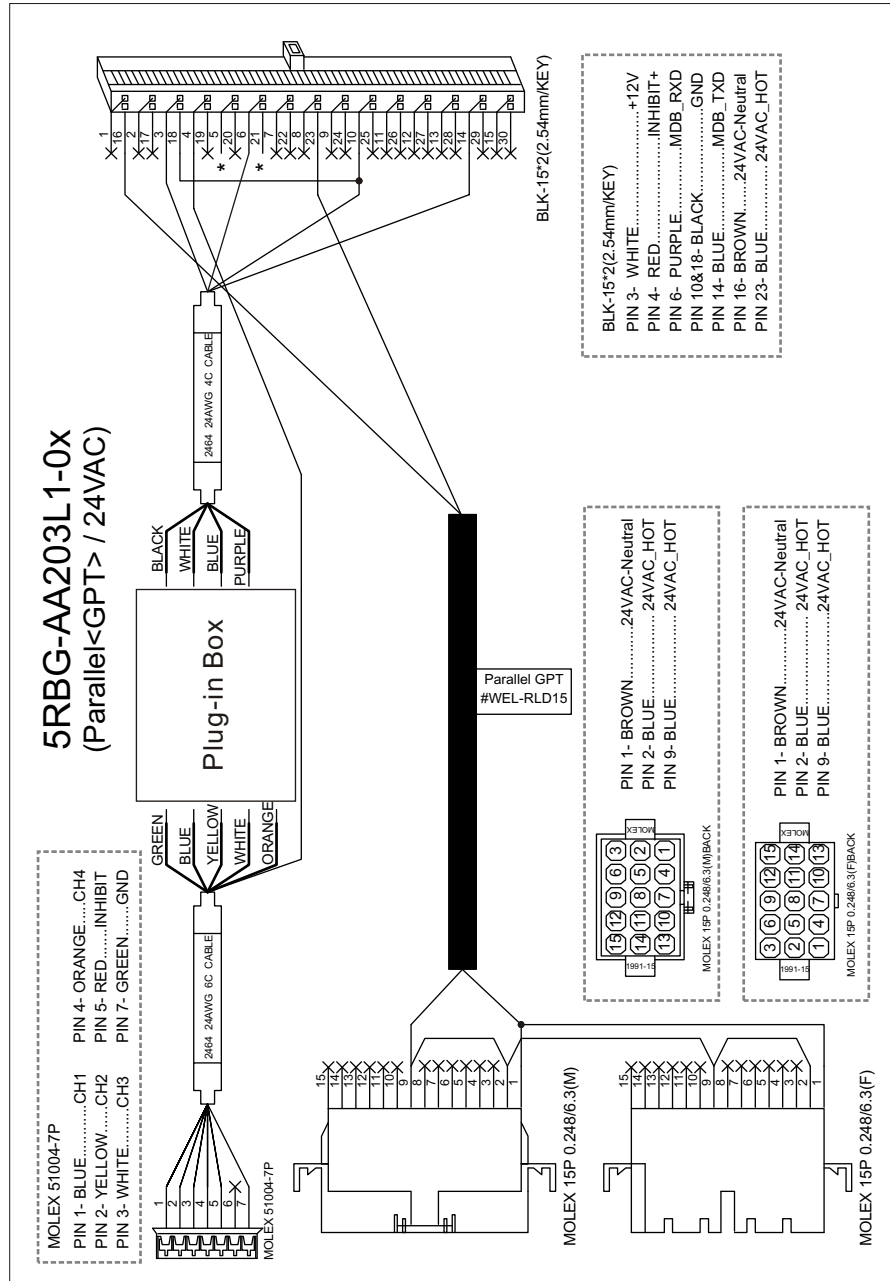






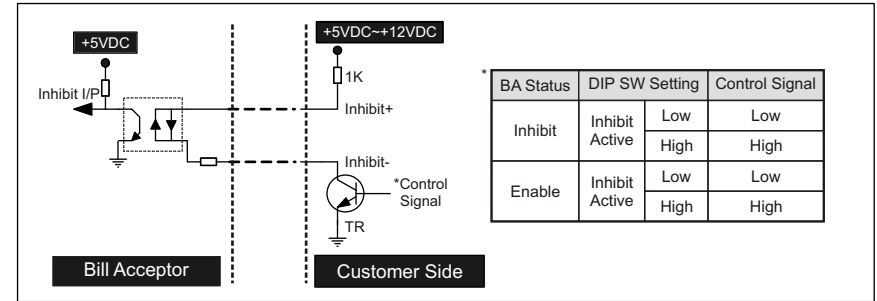
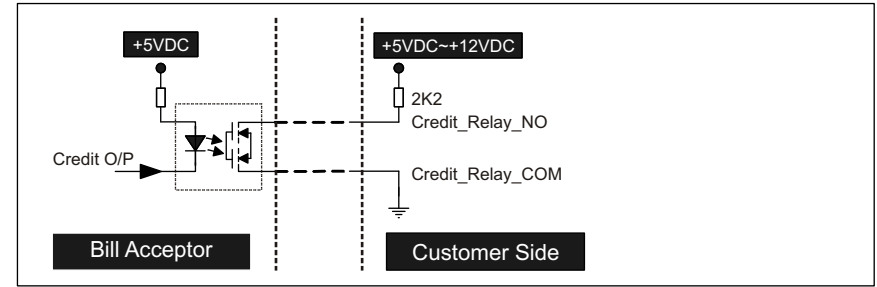




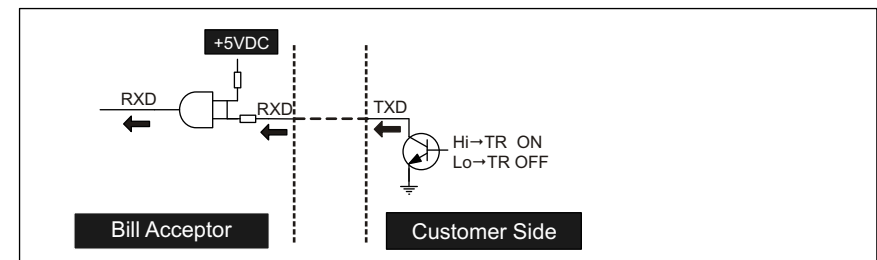
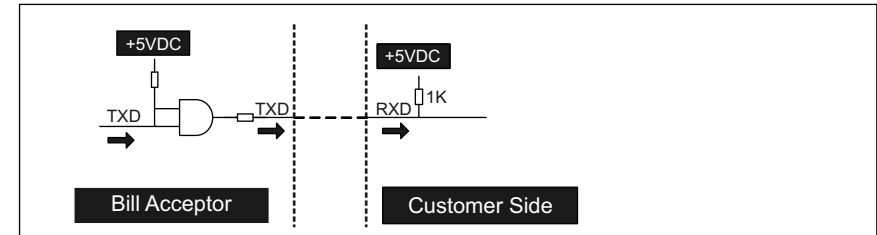


5-1-1. I/O Circuit

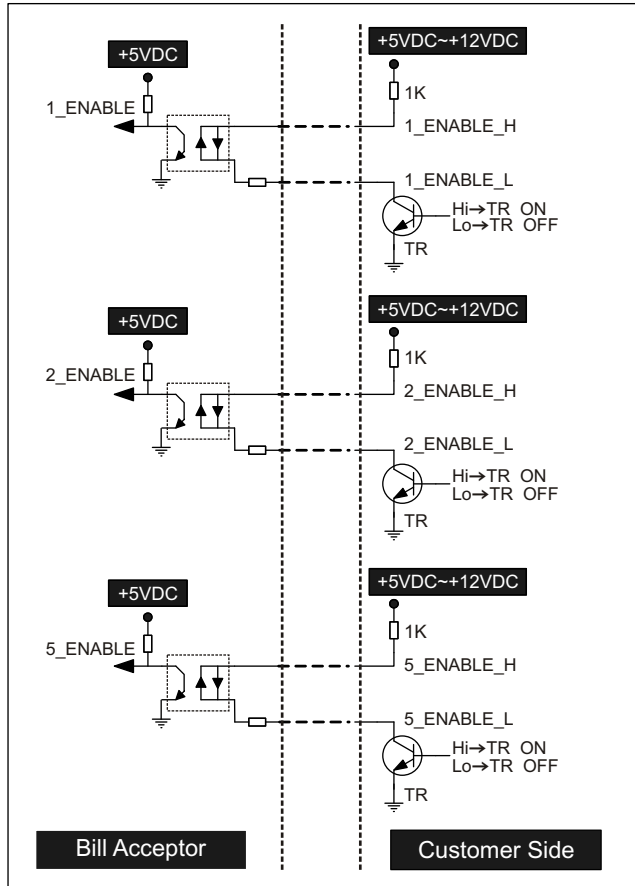
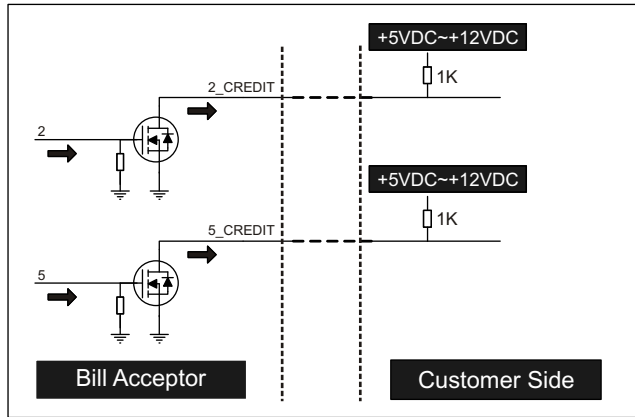
Pulse



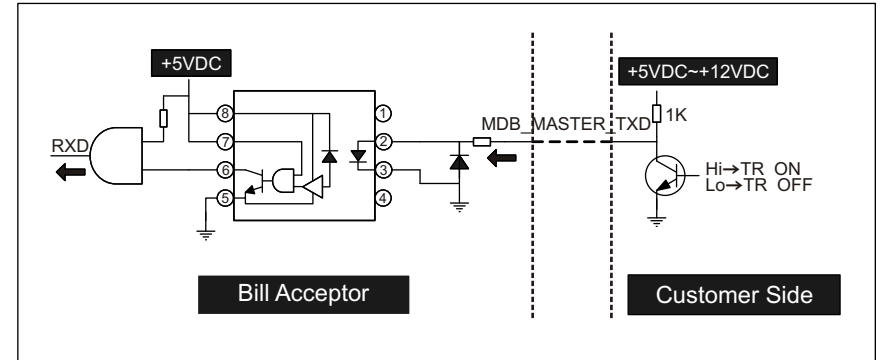
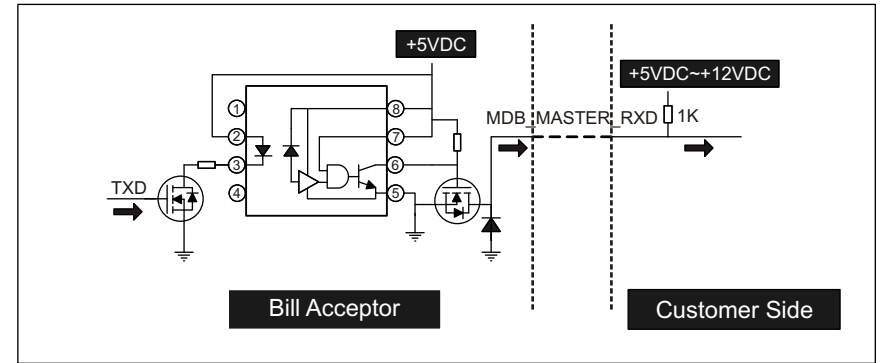
ICT-Protocol



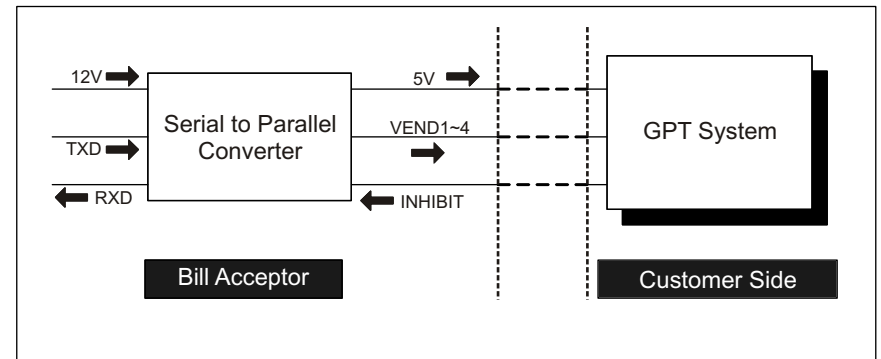
5V Enable



MDB



GPT Parallel

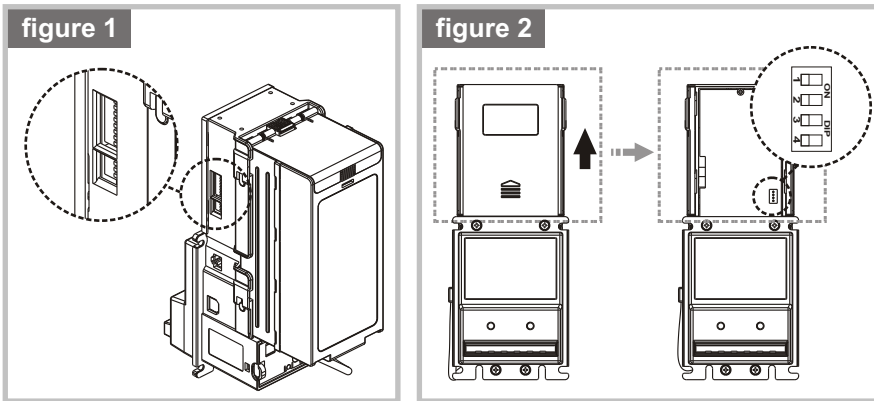


5-2. DIP Switch Setting

There are two serial DIP switches which are located on the side of A7V7 Series (as figure 1). According to different currencies which are used by users, DIP switch settings could be varied to fit users' need.

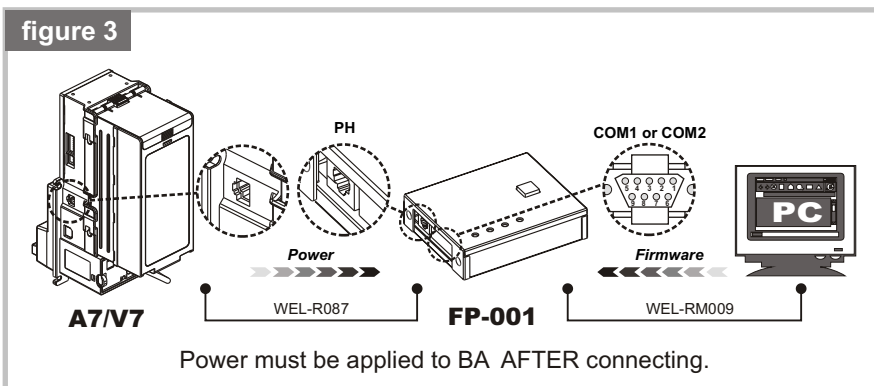
Besides, there's also a serial DIP switches on CPU board inside of A7V7 Series for interface settings.(as figure 2)

Please refer to "A7V7 Series DIP Switch Setting" Guide in the package for more detail.



5-3. Software Download and Upgrade

To download and upgrade the software to A7V7 Series, the programmer (FP-001) is needed. Please contact ICT to purchase FP-001 and refer to FP-001 user guide for software download and upgrade information.

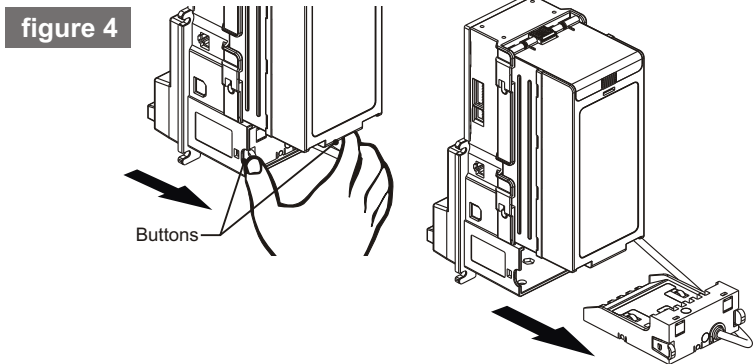


6. Maintenance

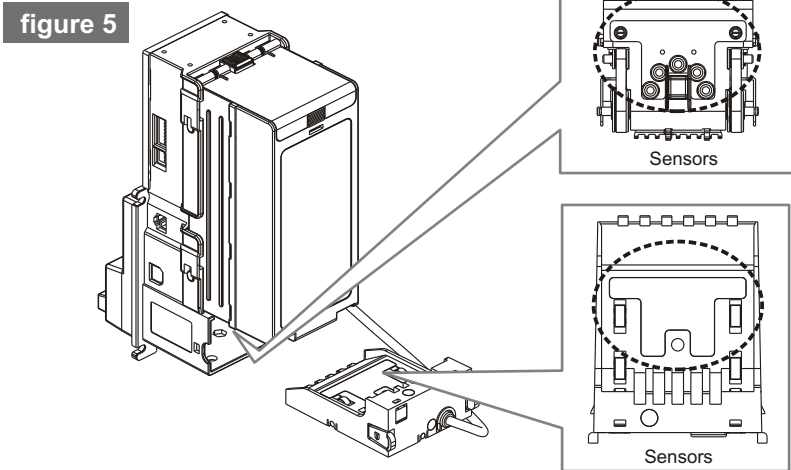
To make sure the bill acceptor always works smoothly, please clean the internal parts every two weeks to every two months.

To clean the internal parts:

1. Press the buttons on the sides of bill path unit and pull the unit out (as figure 4).



2. Use a soft, dry cloth or towel to clean the bill path and sensors (as figure 5).



! Do not use an organic solvent such as gasoline or paint thinner to clean the unit.

7. Trouble Shooting

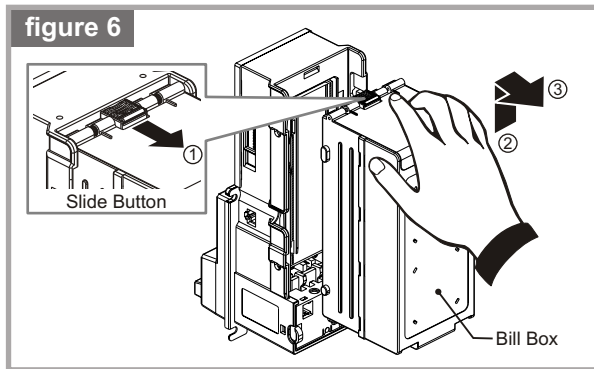
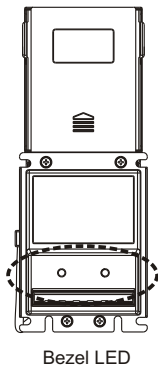


Table 2

LED Flashes	Status	Corrective Actions
1	Bill jammed.	Remove the bill box by sliding the top button and the bill path unit (as figure 6), and then remove the jammed bill.
3	Recognition sensor error.	Inspect for foreign objects on sensor or bill path and clean.
3+2	Hook sensor error.	Inspect for foreign objects on security hook and clean.
3+5 (Optional)	Magnetic Head error.	Inspect for foreign objects on Magnetic Head and clean.
2	Disable	Inspect for right DIP switch setting.
4	Anti-string sensor error or a stringing attempt has detected.	Inspect for foreign objects on sensor or bill path and clean.
5	Bill box has been removed.	Replace the bill box.
6	Stacker error or stacker full.	Empty the bill box.
7	Motor error.	Inspect for foreign objects on bill path and clean.

ict Taiwan

International Currency Technologies Corporation

Ji-Hong Building, No 24, Alley 38, Lane 91, Nei-hu Rd., Sec. 1,
Taipei, Taiwan, R.O.C.

Tel: 886-2-2797-1238 Fax:886-2-2797-1634

sales@ictgroup.com.tw (For Sales)

rma@ictgroup.com.tw (For Customer service)

Website:www.ictgroup.com.tw



If the error can not be solved after corrective actions or happen again, please contact ICT for technical support.