

#### 4. General Specifications:

SENSOR SET: Implementation 02

CURRENCY AND INTERFACES See Software Description document

#### ELECTRICAL SPECIFICATION:

Operating Voltage	Maximum Operating Current	Maximum Current
11V...14V DC	0.8 A	2.0 A

Use only current limiting CSA or UL recognized CLASS 2 Power Supply.

OPERATING TEMPERATURE: -0 to +50 degrees Celsius

TOTAL WEIGHT: 1.2 kg

FEATURES: Standard Horizontal Bezel, Handled Bill width 70 mm

ENCLOSURE: Bill Acceptor with a Stacker  
User's Guide  
Software description

#### Accessories:

Front Label

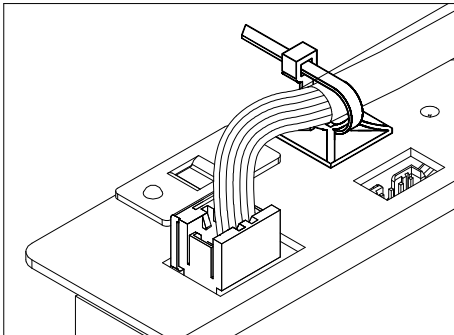
Power Harness, Part # OPT-HS-12v-06p

Holder with Flat Tie, Part #OPT-MKST-HFT

#### OPTIONAL ACCESSORIES:

Included  Jumper Connector, Part # OPT-HS-JC18

To eliminate occasional disconnection of the cable use self-sticking Holder and cable Flat Tie as shown on the picture.



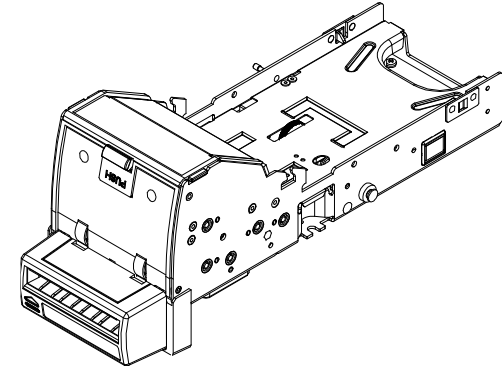
CashCode A Crane Co. Company  
553 Basaltic Rd. Concord, Ontario Canada. L4K 4W8  
TEL: (905) 303-8874 (800)-584-2633  
FAX: (905) 303-8875 (800)-593-2633



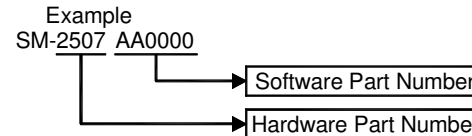
A division of **CRANE** PAYMENT SOLUTIONS

## Bill Validator with Stacker

Hardware part # **SM-2507**



The Part Number on the Label includes Hardware Part Number and Software Part Number.



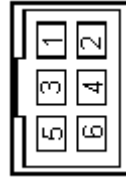
### 1. DIP Switches Setting

See Software Description document.

## 2. Connector pinout

### 6 pin connector pinout

Pin	DESCRIPTION
1	+12V DC
2	GND
3	Pulse Output (NO)
4	Pulse Output Com.
5	Inhibit Line (+)
6	Inhibit Line (-)

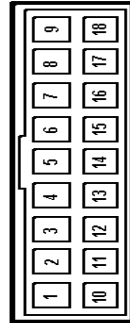


Mating connector:

**MOLEX:** 15-04-5064 -1pcs; 50-57-9303 -2pcs; 16-02-0096 -6pcs;

### 18 pin connector pinout

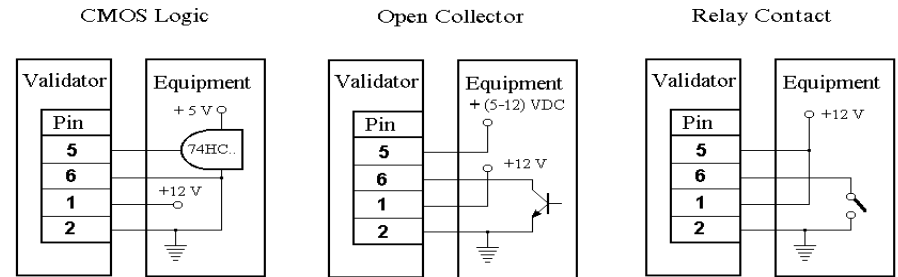
Pin	DESCRIPTION
1	Credit Pulse
2	Interrupt
3	Serial/Pulse Select
4	Common
5	Serial Data Output
6	Reserved
7	Reserved
8	Reserved
9	Reserved
10	Out of service
11	Reserved
12	Accept Enable
13	LED Power Source
14	Send
15	RXD
16	Escrow
17	TXD
18	Reserved



Mating connector:

**AMP:** 102398-7 - 1pcs; 102681-4 - 1pcs; 102536-7 - 1pcs;

- The Pulse Output is a bounce free N/O contact and the polarity of the output connection does not matter.
- RXD and TXD - RS-232 levels Input and Output for bi-directional Communication Protocols.
- Connection to the INHIBIT LINE depends on the machine controller lockout circuitry. See figure below:



## 3. Diagnostics

Count the number of flashes and compare with the diagnostic chart below:

## of flashes	Malfunction
1 red on black	Cassette is removed from bill acceptor
3 red on black	Cassette is full
4 red on black	Failure of stacker mechanism
5 red on black	Failure of capacitance sensors
6 red on black	Failure of optical sensors
7 red on black	Failure of magnetic sensors
8 red on black	Transporting motor failure (timeout)
9 red on black	Speed of transporting motor is too fast
11 red on black	Bill pathway is not empty (bill is jammed)
12 red on black	Fail rejecting a bill. Bill is in the entry slot of the cassette.
1 green on red	COM port CRC Error
2 green on red	Internal CRC Error
3 green on red	Improper CCMS format
4 green on red	CCMS is absent
5 green on red	Improper type of CCMS
6 green on red	Download Error