

4. General Specifications:

SENSOR SET: Implementation 02
CURRENCY AND INTERFACES See Software Description document

ELECTRICAL SPECIFICATION:

Operating Voltage	Maximum Operating Current	Maximum Current
11V...14V DC	0.8 A	2.0 A

Use only current limiting CSA or UL recognized CLASS 2 Power Supply.

OPERATING TEMPERATURE: -0 to +50 degrees Celsius
TOTAL WEIGHT: 1.2 kg

FEATURES: Standard Plastic, Handled Bill width 70 mm

ENCLOSURE: Bill Acceptor with a Stacker
User's Guide
Software description

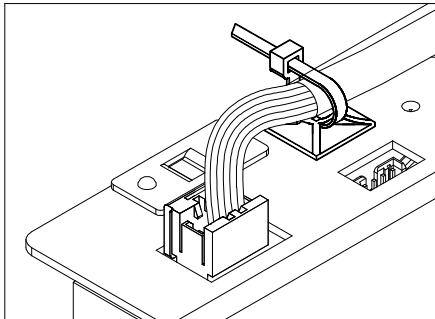
Accessories:

Front Label
Power Harness, Part # OPT-HS-12v-06p
Holder with Flat Tie, Part #OPT-MKST-HFT

OPTIONAL ACCESSORIES:

Included Jumper Connector, Part # OPT-HS-JC18

To eliminate occasional disconnection of the cable use self-sticking Holder and cable Flat Tie as shown on the picture.



A division of CRANE PAYMENT SOLUTIONS

CashCode A Crane Co. Company
553 Basaltic Rd. Concord, Ontario Canada. L4K 4W8
TEL: (905) 303-8874 (800)-584-2633
FAX: (905) 303-8875 (800)-593-2633

2007 CashCode A Crane Co. Company PT# UG-SM-2007_C 08/07



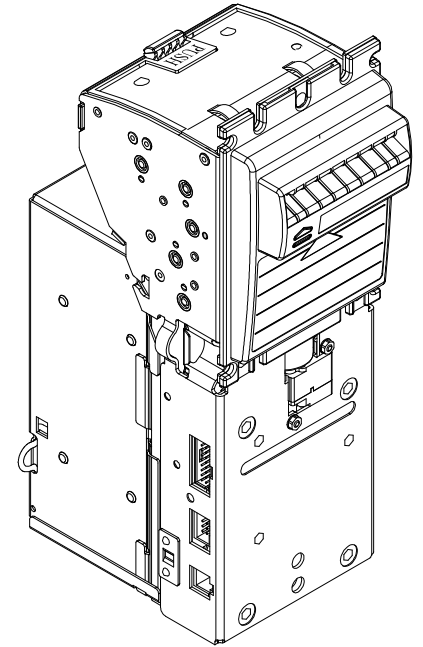
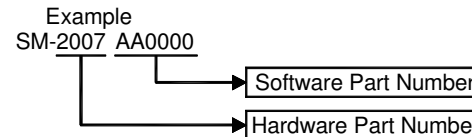
CashCode® User's Guide

A division of CRANE PAYMENT SOLUTIONS

Bill Validator with Stacker

Hardware part # **SM-2007**

The Part Number on the Label includes Hardware Part Number and Software Part Number.



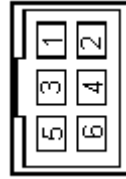
1. DIP Switches Setting

See Software Description document.

2. Connector pinout

6 pin connector pinout

Pin	DESCRIPTION
1	+12V DC
2	GND
3	Pulse Output (NO)
4	Pulse Output Com.
5	Inhibit Line (+)
6	Inhibit Line (-)

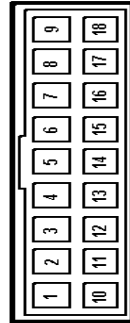


Mating connector:

MOLEX: 15-04-5064 -1pcs; 50-57-9303 -2pcs; 16-02-0096 -6pcs;

18 pin connector pinout

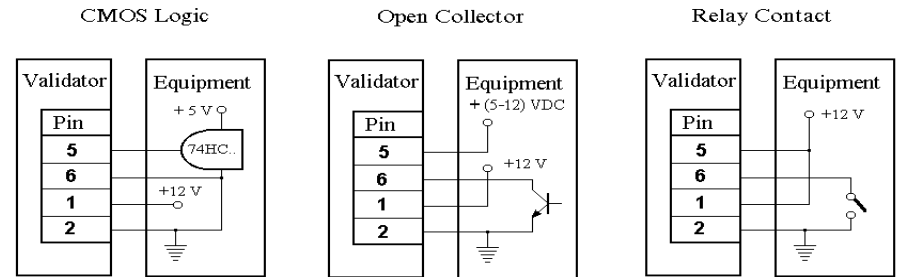
Pin	DESCRIPTION
1	Credit Pulse
2	Interrupt
3	Serial/Pulse Select
4	Common
5	Serial Data Output
6	Reserved
7	Reserved
8	Reserved
9	Reserved
10	Out of service
11	Reserved
12	Accept Enable
13	LED Power Source
14	Send
15	RXD
16	Escrow
17	TXD
18	Reserved



Mating connector:

AMP: 102398-7 - 1pcs; 102681-4 - 1pcs; 102536-7 - 1pcs;

- The Pulse Output is a bounce free N/O contact and the polarity of the output connection does not matter.
- RXD and TXD - RS-232 levels Input and Output for bi-directional Communication Protocols.
- Connection to the INHIBIT LINE depends on the machine controller lockout circuitry. See figure below:



3. Diagnostics

Count the number of flashes and compare with the diagnostic chart below:

## of flashes	Malfunction
1 red on black	Cassette is removed from bill acceptor
3 red on black	Cassette is full
4 red on black	Failure of stacker mechanism
5 red on black	Failure of capacitance sensors
6 red on black	Failure of optical sensors
7 red on black	Failure of magnetic sensors
8 red on black	Transporting motor failure (timeout)
9 red on black	Speed of transporting motor is too fast
11 red on black	Bill pathway is not empty (bill is jammed)
12 red on black	Fail rejecting a bill. Bill is in the entry slot of the cassette.
1 green on red	COM port CRC Error
2 green on red	Internal CRC Error
3 green on red	Improper CCMS format
4 green on red	CCMS is absent
5 green on red	Improper type of CCMS
6 green on red	Download Error